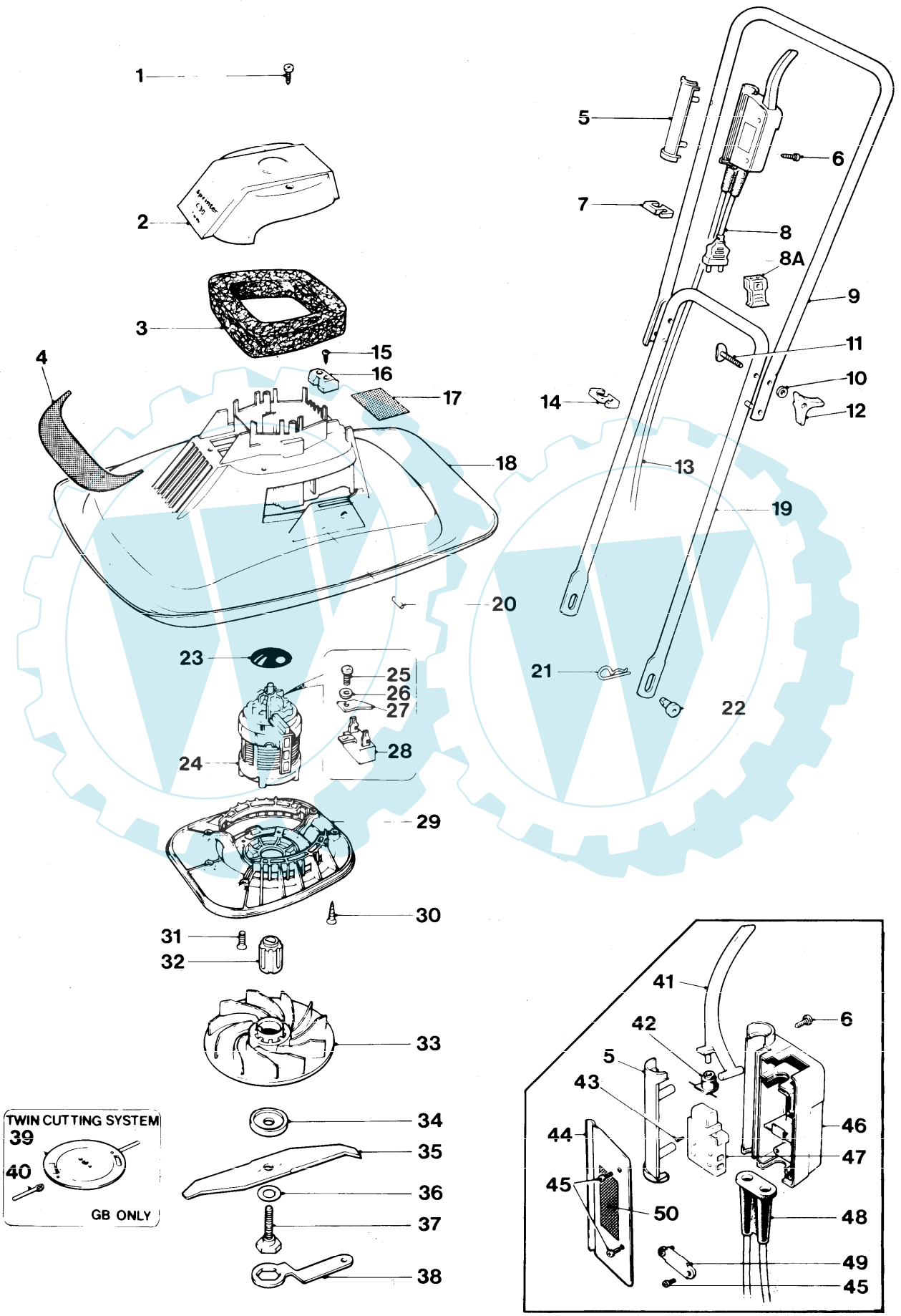


Flymo

E30-2 9635174  
9635175



**Flymo****E 30-2 9635174  
9635175**

KEY No.	PART No.	DESCRIPTION	QUANTITY	COMMENTS/ APPLICATION	KEY No.	PART No.	DESCRIPTION	QUANTITY	COMMENTS/ APPLICATION
1	5146824-00/7	SCREW	2	ALT USE 5147665-00/4	41	5136182-01/0	LEVER SWITCH	1	
2	5137486-01/4	COWL C/W LENS	1		42	5130406-01/9	SEAL CONE	1	
3	5136656-00/5	FILTER	1		43	5141605-00/5	SCREW	4	
4	5136725-00/8	LABEL FLYMO	1		44	5116495-00/2	SWITCHBOX COVER	1	
5	5126290-00/5	SWITCHBOX RETAINER 16mm	1		45	5146672-00/0	SCREW GKN POLYMATE	4	
6	5146672-00/0	SCREW GKN POLYMATE	2		46	5116494-03/9	SWITCHBOX BODY 16mm	1	
7	5140482-00/0	CABLE CLIP SMALL	1		47	5136674-01/6	SWITCH ON/OFF LOCK OFF	1	KOPP 2412.04 OR 2412.13
8	5136621-00/9	LEAD TERMINAL C/W PLUG	1	GB	48	5141584-01/0	SLEEVE PROTECTION	1	
8A	5136662-00/3	SOCKET FEMALE 10 AMP	1		49	5146616-00/7	CLAMP CABLE	1	
9	5126242-03/0	HANDLE UPPER PLASTIC COATED	1		50	5147942-00/6	LABEL SWITCHBOX LOCK OFF	1	GB
10	5140266-00/7	WASHER	2						
11	5140607-00/2	BOLT HANDLE 1/4 UNCX45LG	2						
12	5140690-00/8	KNOB WING	2						
13	5147001-34/0	LEAD INTERNAL	1						
14	5140863-01/9	CABLE CLIP LARGE	1						
15	5146824-00/7	SCREW	2	ALT USE 5147665-00/4					
16	5126442-00/2	CABLE CLAMP	1						
17	5147876-00/6	LABEL WARNING ELECTRIC	1						
18	5126515-00/5	HOOD 30CM	1						
19	5116937-00/3	HANDLE LOWER	1						
20	5147594-00/5	PIN	2						
21	5140423-00/4	PIN RETAINING	2						
22	5140092-01/5	PIN LOCKING	2	ALT USE 5140092-00/7					
23	5146469-01/9	WARNING DISC ASSY ORANGE	1						
24	5126516-01/1	MOTOR 240V	1						
25	7241293-61/7	SCREW THREAD FORMING	1						
26	7352136-51/4	LOCKWASHER	1						
27	113721-00/5	CLIP	1						
28	113030-01/9	SUPPRESSOR 0.15 MF	1						
29	5106169-01/3	MOTOR MOUNTING PLATE	1	DARK BROWN					
30	5146736-00/3	SCREW HIGH/LOW	5						
31	5146866-00/8	SCREW M5X16LG CSK	4						
32	5136297-00/8	INSERT IMPELLER	1						
33	5116729-02/0	IMPELLER DARK BROWN	1						
34	5136240-01/6	BLADE SPACER	2						
35	5126439-00/8	BLADE 30CM	1						
36	5140516-00/5	ANTI FRICTION WASHER (PTFE)	1						
37	5136242-01/2	BLADE BOLT	1						
38	5130127-00/3	SPANNER	1						
39	5137557-00/4	DISC ASSY	1						
40	5148257-02/4	CUTTER PLASTIC LONG LIFE	2						

## PRODUCT VARIANT

9635174-25 GB

9635175-25 GB

When no application details are shown the part applies to all countries.